

JUMO GmbH & Co. KG

Delivery address: Mackenrodtstraße 14
36039 Fulda, Germany
Postal address: 36035 Fulda, Germany
Phone: +49 661 6003-0
Fax: +49 661 6003-607
E-mail: mail@jumo.net
Internet: www.jumo.net

JUMO Instrument Co. Ltd.

JUMO House
Temple Bank, Riverway
Harlow, Essex CM20 2DY, UK
Phone: +44 1279 635533
Fax: +44 1279 635262
E-mail: sales@jumo.co.uk
Internet: www.jumo.co.uk

JUMO Process Control, Inc.

6733 Myers Road
East Syracuse, NY 13057, USA
Phone: 315-437-5866
1-800-554-5866
Fax: 315-437-5860
E-mail: info.us@jumo.net
Internet: www.jumousa.com



JUMO MIDAS S19 R

OEM Pressure Transmitter – Railway

Applications

- Compressors
- Braking systems
- Climate control
- Sanitary equipment
- Hydrodynamic gears
- Water supply
- Fire extinguisher systems

Brief description

The pressure transmitter JUMO MIDAS S19 R has been especially designed and qualified for use in rail vehicles.

The fully welded measuring system (without seals) made of high-grade stainless steel allows this device to be used in almost all media, even in harsh conditions. The device features a silicon sensor that is extremely resistant to overloading even in the lowest measuring ranges and is capable of handling millions of pressure cycles.



Type 401008 with cable socket

Customer benefits

Tested according to typical standards for the railway industry:

- DIN EN 50155 "Electronic equipment used on rolling stock"
- DIN EN 61373 "Railway applications - rolling stock equipment", shock and vibration tests, category 1, class A + B
- DIN EN 50121-3-2 "Railway applications - electromagnetic compatibility"
- DIN EN/TS 45545-2 "Fire protection on railway vehicles"

Special features

- Tested acc. to railway standards
- Vibration and shock resistant
- Fulfills maximum EMC requirements
- Highly resistant to overload
- Welded stainless steel measuring system
- Suitable for HVAC applications

JUMO GmbH & Co. KG

Delivery address: Mackenrodtstraße 14
36039 Fulda, Germany
Postal address: 36035 Fulda, Germany
Phone: +49 661 6003-0
Fax: +49 661 6003-607
E-mail: mail@jumo.net
Internet: www.jumo.net

JUMO Instrument Co. Ltd.

JUMO House
Temple Bank, Riverway
Harlow, Essex CM20 2DY, UK
Phone: +44 1279 635533
Fax: +44 1279 635262
E-mail: sales@jumo.co.uk
Internet: www.jumo.co.uk

JUMO Process Control, Inc.

6733 Myers Road
East Syracuse, NY 13057, USA
Phone: 315-437-5866
1-800-554-5866
Fax: 315-437-5860
E-mail: info.us@jumo.net
Internet: www.jumousa.com



Technical data

General information

Reference conditions	DIN 16086 and DIN EN 60770
Sensor	
Measuring principle	Silicon sensor with stainless steel separating diaphragm (piezo-resistive)
Pressure transfer medium	Synthetic oil
Admissible load changes	> 10 million, 0 % to 100 % measuring range
Position	
Mounting position	Any
Calibration position	Device upright, process connection at the bottom

Output

Analog output	
Output 405	4 mA to 20 mA, 2-wire
Step response	
T ₉₀	≤ 3 ms
Burden	
4 mA to 20 mA, 2-wire	$R_L \leq (U_B - 10 \text{ V}) \div 0.02 \text{ A} (\Omega)$

Mechanical features

Process connection	
Material	Stainless steel 316 Ti
Process seal	The measuring system is welded and therefore entirely free of seals. ^a
Membranes	
Material	Stainless steel 316 L
Case	
Material	Stainless steel 304
Electrical connection	
Material	
Round plug M12 × 1 (electrical connection 36)	Diecast zinc, nickel-plated, PA, stainless steel 303
Bayonet connector (electrical connection 53)	Stainless steel 304
Plug connector (electrical connection 60)	PBT-GF30
Cable socket (electrical connection 61)	PBT-GF30, PA, silicone
Weight	135 g with process connection 502 (G 1/4)

^a Pressure transmitters with process connection 521 are supplied with an FPM seal. Ensure the medium durability of the seal material!

JUMO GmbH & Co. KG

Delivery address: Mackenrodtstraße 14
36039 Fulda, Germany
Postal address: 36035 Fulda, Germany
Phone: +49 661 6003-0
Fax: +49 661 6003-607
E-mail: mail@jumo.net
Internet: www.jumo.net

JUMO Instrument Co. Ltd.

JUMO House
Temple Bank, Riverway
Harlow, Essex CM20 2DY, UK
Phone: +44 1279 635533
Fax: +44 1279 635262
E-mail: sales@jumo.co.uk
Internet: www.jumo.co.uk

JUMO Process Control, Inc.

6733 Myers Road
East Syracuse, NY 13057, USA
Phone: 315-437-5866
1-800-554-5866
Fax: 315-437-5860
E-mail: info.us@jumo.net
Internet: www.jumousa.com

**Environmental conditions**

Admissible temperatures	
Medium	-40 °C to +125 °C
Ambient	-40 to +100 °C
Storage	-50 to +100 °C
Admissible air humidity	
Operation	100 % rel. humidity including condensation on the device outer case
Storage	90 % rel. humidity without condensation
Admissible mechanical load	
Vibration resistance	0.1 g, 5 Hz to 150 Hz ^a 20 g, 15 Hz to 2,000 Hz ^b
Shock resistance	3 g for 30 ms ^c 100 g for 1 ms ^d
Electromagnetic compatibility	
Interference emission ^e	Class B
Interference immunity ^c	Evaluation criterion A
Protection type ^f	
Round plug M12 × 1 ^g (electrical connection 36)	IP66
Bayonet connector ^g (electrical connection 53)	IP67
Plug connector (electrical connection 60)	IP50
Cable socket ^{g, h} (electrical connection 61)	IP65

^a DIN EN 61373, chapter 8, category 1, class B

^b IEC 60068-2-6

^c DIN EN 61373, chapter 10, category 1, class A + B

^d IEC 60068-2-27

^e DIN EN 50121-3-2

^f EN 60529

^g The protection type is only achieved with a suitable mounted counter piece.

^h Connecting cable diameter, minimum 6 mm, maximum 8 mm

JUMO GmbH & Co. KG
 Delivery address: Mackenrodtstraße 14
 36039 Fulda, Germany
 Postal address: 36035 Fulda, Germany
 Phone: +49 661 6003-0
 Fax: +49 661 6003-607
 E-mail: mail@jumo.net
 Internet: www.jumo.net

JUMO Instrument Co. Ltd.
 JUMO House
 Temple Bank, Riverway
 Harlow, Essex CM20 2DY, UK
 Phone: +44 1279 635533
 Fax: +44 1279 635262
 E-mail: sales@jumo.co.uk
 Internet: www.jumo.co.uk

JUMO Process Control, Inc.
 6733 Myers Road
 East Syracuse, NY 13057, USA
 Phone: 315-437-5866
 1-800-554-5866
 Fax: 315-437-5860
 E-mail: info.us@jumo.net
 Internet: www.jumousa.com



Measuring range and accuracy

Measuring range bar	Linearity ^a % MSP	Accuracy at		Long-term stability ^b % MSP per year	Overload capacity ^c bar	Burst pressure bar
		20 °C ^d % MSP	-20 °C to +100 °C ^e % MSP			
0 bar to 1.6 bar relative pressure	0.25	0.5	1.5	0.2	6	10
0 bar to 2.5 bar relative pressure	0.25	0.5	1.5		10	15
0 bar to 4 bar relative pressure	0.25	0.5	1.2		16	24
0 bar to 6 bar relative pressure	0.25	0.5	1.2		24	36
0 bar to 10 bar relative pressure	0.25	0.5	1.0		40	60
0 bar to 16 bar relative pressure	0.25	0.5	1.0		60	100
0 bar to 25 bar relative pressure	0.25	0.5	1.0		150	250
0 bar to 40 bar relative pressure	0.25	0.5	1.0		300	400
0 bar to 60 bar relative pressure	0.2	0.5	1.0		300	400
0 bar to 100 bar relative pressure	0.25	0.5	1.0		300	400
-1 bar to +1.5 bar relative pressure	0.3	0.6	1.6		10	15
-1 bar to +3 bar relative pressure	0.3	0.5	1.3		16	24
-1 bar to +5 bar relative pressure	0.25	0.5	1.3		24	36
-1 bar to +9 bar relative pressure	0.25	0.5	1.2		40	60
-1 bar to +15 bar relative pressure	0.25	0.5	1.2		60	100
-1 bar to +24 bar relative pressure	0.25	0.5	1.2		150	250
0 bar to 1.6 bar absolute pressure	0.25	0.5	1.5		6	10
0 bar to 2.5 bar absolute pressure	0.25	0.5	1.5		10	15
0 bar to 4 bar absolute pressure	0.25	0.5	1.2		16	24
0 bar to 6 bar absolute pressure	0.25	0.5	1.2		24	36
0 bar to 10 bar absolute pressure	0.25	0.5	1.0	40	60	
0 bar to 16 bar absolute pressure	0.25	0.5	1.0	60	100	
0 bar to 25 bar absolute pressure	0.25	0.5	1.0	150	250	
0 bar to 40 bar absolute pressure	0.25	0.5	1.0	300	400	

^a Linearity according to limit point setting

^b Reference conditions EN 61298-1

^c All pressure transmitters are vacuum-proof.

^d Includes: linearity, hysteresis, repeatability, deviation of measuring range initial value and measuring range end value

^e Includes: linearity, hysteresis, repeatability, deviation of measuring range initial value and measuring range end value, thermal effect on measuring range start and measuring span

Auxiliary energy

Voltage supply U _B ^a 4 mA to 20 mA, 2-wire (output 405)	DC 10 V to 30 V, rated voltage supply DC 24 V
Current consumption 4 mA to 20 mA, 2-wire (output 405)	≤ 25 mA
Reverse voltage protection	Yes
Electrical circuit	SELV

^a Residual ripple: the voltage peaks must not exceed or fall below the specified voltage supply values!

JUMO GmbH & Co. KG
 Delivery address: Mackenrodtstraße 14
 36039 Fulda, Germany
 Postal address: 36035 Fulda, Germany
 Phone: +49 661 6003-0
 Fax: +49 661 6003-607
 E-mail: mail@jumo.net
 Internet: www.jumo.net

JUMO Instrument Co. Ltd.
 JUMO House
 Temple Bank, Riverway
 Harlow, Essex CM20 2DY, UK
 Phone: +44 1279 635533
 Fax: +44 1279 635262
 E-mail: sales@jumo.co.uk
 Internet: www.jumo.co.uk

JUMO Process Control, Inc.
 6733 Myers Road
 East Syracuse, NY 13057, USA
 Phone: 315-437-5866
 1-800-554-5866
 Fax: 315-437-5860
 E-mail: info.us@jumo.net
 Internet: www.jumousa.com



"Environmental Testing" certificate



More than **sensors + automation**

CERTIFICATE

Environmental Testing

According to DIN EN 50155 / DIN EN 50121

Certificate No. 024000
Date of issue 12/10/2014
Number of pages 1 pages

Applicants Name JUMO GmbH & Co KG
Address Moritz-Juchheim-Straße 1, 36039 Fulda / Germany

Manufacturer JUMO GmbH & Co KG
Address Moritz-Juchheim-Straße 1, 36039 Fulda / Germany

Product description Pressure Sensor JUMO MIDAS S19 R / 401008
Trademark JUMO
Model and / or type list Railway application

Applied Tests to JUMO MIDAS S19 R / 401008

Test	Standard	Result
1 Cold, - 50°C, 2 h	EN 60068-2-1:2007	passed
2 Damp heat cyclic, 25°C/55°C, 95% r.H., 2 cycles à 24 h	EN 60068-2-30:2005	passed
3 Salt mist, 336 h	EN 60068-2-11:1999	passed
4 Dry heat, 100°C, 6 h	EN 60068-2-2:2007	passed
5 EMC	EN 50121-3-2:2006, EN 61000-4	passed
Electrical fast transient burst +/- 4 KV	EN 61000-4-4:2004	passed
RF conducted disturbances 10 V RMS	EN 61000-4-6:2009	passed
SURGE Asym. +/- 1 KV (42 Ohm), line to line	EN 61000-4-5:2006	passed
Radiated electromagnetic field 80 MHz ... 1000 MHz; 20 V/m 1000 MHz ... 2700 MHz; 10 V/m	EN 61000-4-3:2006 + A1:2008	Passed
6 Vibration and shock test	EN 61373:1999	passed
Half sine puls Acc. 30 m/s ² , 18 shocks (3 each positive and negative in the corresponding direction)	EN 61373:1999 Cat. 1B	passed
Simulated lifetime test r.m.s. acceleration 7,9m/s ² , frequency range 5Hz ≤ f ≤ 150 Hz, 5 hours per orientation	EN 61373:1999 Cat. 1B	passed
Broadband noise r.m.s. acceleration 1,0 m/s ² , frequency range 5Hz ≤ f ≤ 150 Hz, approx. 10 minutes per orientation	EN 61373:1999 Cat. 1B	passed
7 IP 65 (with valve connector, DIN EN 175301-803 Form A)	EN 60529:1991 + A1:2000	passed
8 Accelerated lifetime test (lifetime: 190.000 h)	Lifetime [h]/ 2 ^Δ (temperature increase /10)= test time [h]	passed
9 Accelerated ageing 150.000 pressure cycles, 0 bar to 60 bar, 3 Hz		passed

JUMO GmbH & Co. KG
 Delivery address: Mackenrodtstraße 14
 36039 Fulda, Germany
 Postal address: 36035 Fulda, Germany
 Phone: +49 661 6003-0
 Fax: +49 661 6003-607
 E-mail: mail@jumo.net
 Internet: www.jumo.net

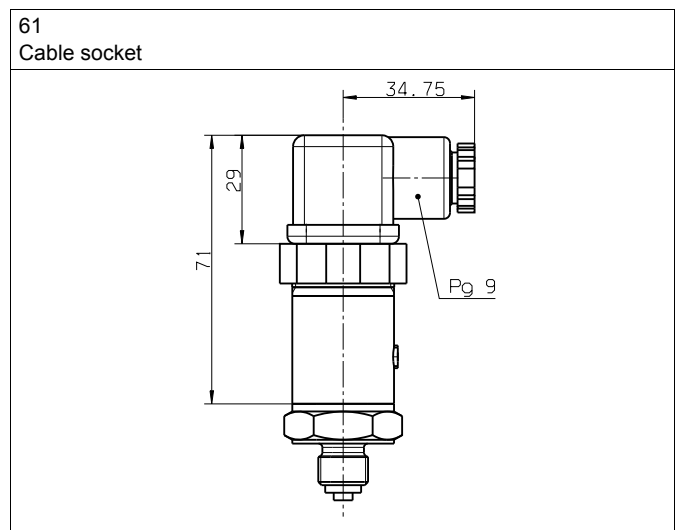
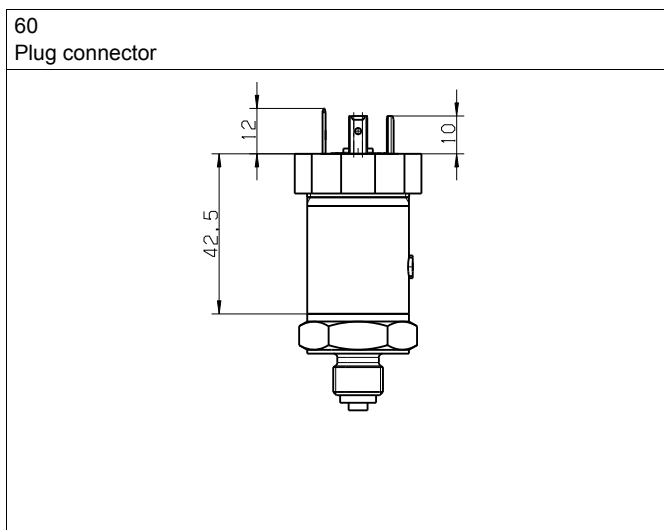
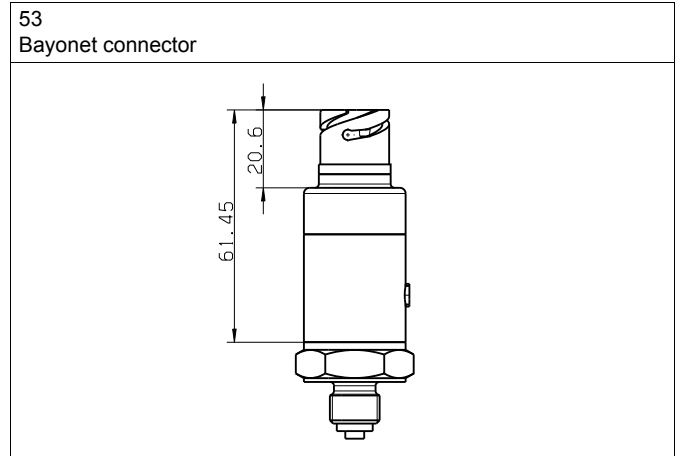
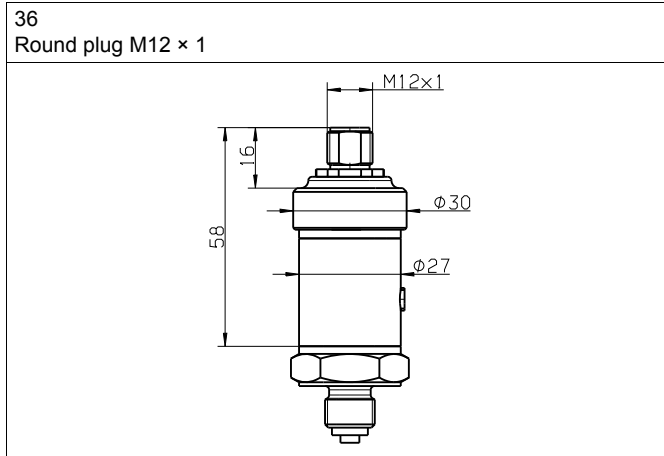
JUMO Instrument Co. Ltd.
 JUMO House
 Temple Bank, Riverway
 Harlow, Essex CM20 2DY, UK
 Phone: +44 1279 635533
 Fax: +44 1279 635262
 E-mail: sales@jumo.co.uk
 Internet: www.jumo.co.uk

JUMO Process Control, Inc.
 6733 Myers Road
 East Syracuse, NY 13057, USA
 Phone: 315-437-5866
 1-800-554-5866
 Fax: 315-437-5860
 E-mail: info.us@jumo.net
 Internet: www.jumousa.com



Dimensions

Electrical connection



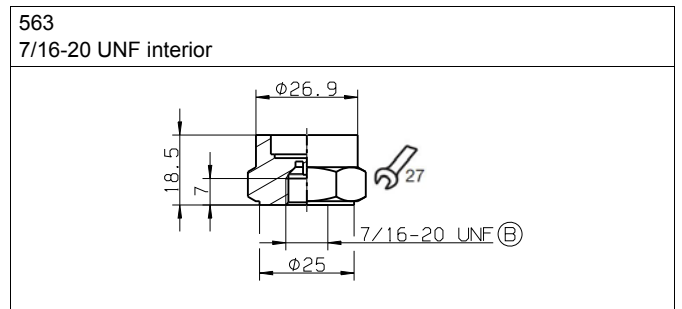
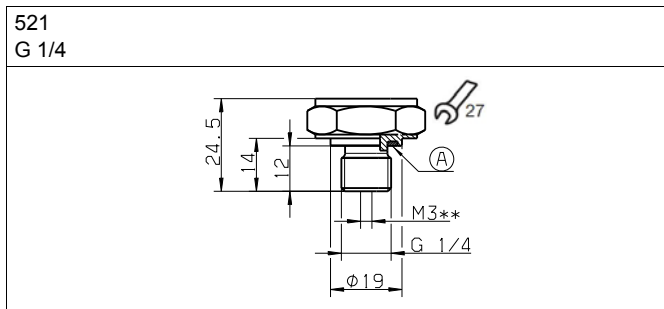
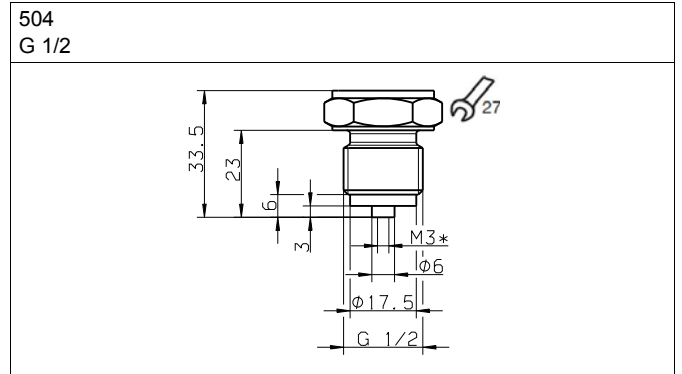
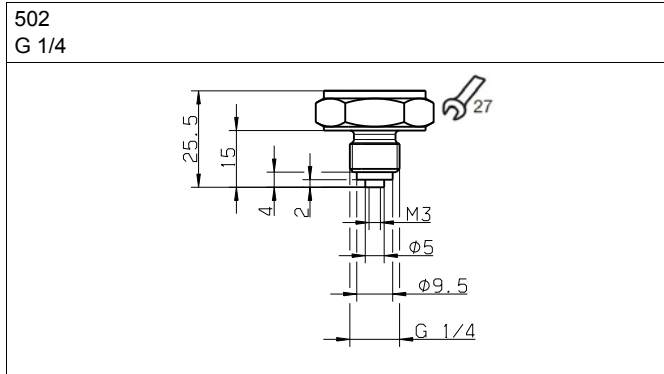
JUMO GmbH & Co. KG
 Delivery address: Mackenrodtstraße 14
 36039 Fulda, Germany
 Postal address: 36035 Fulda, Germany
 Phone: +49 661 6003-0
 Fax: +49 661 6003-607
 E-mail: mail@jumo.net
 Internet: www.jumo.net

JUMO Instrument Co. Ltd.
 JUMO House
 Temple Bank, Riverway
 Harlow, Essex CM20 2DY, UK
 Phone: +44 1279 635533
 Fax: +44 1279 635262
 E-mail: sales@jumo.co.uk
 Internet: www.jumo.co.uk

JUMO Process Control, Inc.
 6733 Myers Road
 East Syracuse, NY 13057, USA
 Phone: 315-437-5866
 1-800-554-5866
 Fax: 315-437-5860
 E-mail: info.us@jumo.net
 Internet: www.jumousa.com



Process connection



- A Profile seal G 1/4
- B With valve core handle
- * Extra code 630 pressure channel Ø 12 mm
- ** Extra code 630 pressure channel Ø 8 mm

JUMO GmbH & Co. KG
 Delivery address: Mackenrodtstraße 14
 36039 Fulda, Germany
 Postal address: 36035 Fulda, Germany
 Phone: +49 661 6003-0
 Fax: +49 661 6003-607
 E-mail: mail@jumo.net
 Internet: www.jumo.net

JUMO Instrument Co. Ltd.
 JUMO House
 Temple Bank, Riverway
 Harlow, Essex CM20 2DY, UK
 Phone: +44 1279 635533
 Fax: +44 1279 635262
 E-mail: sales@jumo.co.uk
 Internet: www.jumo.co.uk

JUMO Process Control, Inc.
 6733 Myers Road
 East Syracuse, NY 13057, USA
 Phone: 315-437-5866
 1-800-554-5866
 Fax: 315-437-5860
 E-mail: info.us@jumo.net
 Internet: www.jumousa.com



Connection diagram

The connection diagram in the data sheet provides preliminary information about the connection options. For the electrical connection only use the installation instructions or the operating manual. The knowledge and the correct technical execution of the safety information/instructions contained in these documents are mandatory for installation, electrical connection, startup, and for safety during operation.

Connection		Terminal assignment ^a		
		36 Round plug M12 × 1	53 Bayonet connector	60 Plug connector 61 Cable socket
4 mA to 20 mA, 2-wire (output 405)				
Voltage supply DC 10 V to 30 V	U _B /S+	1	1	1
	0 V/S-	3	2	2
Functional bonding conductor FB ^b		2	3	

^a Figure: Connection to the pressure transmitter

^b The pressure transmitter has to be connected to the potential equalization system of the plant via the electrical connection or process connection.

Color coding: connecting cable round plug M12 × 1	1 BN	Brown
	2 WH	White
	3 BU	Blue
	4 BK	Black
The color coding is only valid for A-coded standard cables!		

JUMO GmbH & Co. KG

Delivery address: Mackenrodtstraße 14
36039 Fulda, Germany
Postal address: 36035 Fulda, Germany
Phone: +49 661 6003-0
Fax: +49 661 6003-607
E-mail: mail@jumo.net
Internet: www.jumo.net

JUMO Instrument Co. Ltd.

JUMO House
Temple Bank, Riverway
Harlow, Essex CM20 2DY, UK
Phone: +44 1279 635533
Fax: +44 1279 635262
E-mail: sales@jumo.co.uk
Internet: www.jumo.co.uk

JUMO Process Control, Inc.

6733 Myers Road
East Syracuse, NY 13057, USA
Phone: 315-437-5866
1-800-554-5866
Fax: 315-437-5860
E-mail: info.us@jumo.net
Internet: www.jumousa.com



Order details

	(1) Basic type
401008	JUMO MIDAS S19 R – OEM pressure transmitter – railway
	(2) Basic type extension
000	None
999	Special version
	(3) Input
455	0 bar to 1.6 bar relative pressure
456	0 bar to 2.5 bar relative pressure
457	0 bar to 4 bar relative pressure
458	0 bar to 6 bar relative pressure
459	0 bar to 10 bar relative pressure
460	0 bar to 16 bar relative pressure
461	0 bar to 25 bar relative pressure
462	0 bar to 40 bar relative pressure
463	0 bar to 60 bar relative pressure
464	0 bar to 100 bar relative pressure
480	-1 bar to +1.5 bar relative pressure
481	-1 bar to +3 bar relative pressure
482	-1 bar to +5 bar relative pressure
483	-1 bar to +9 bar relative pressure
484	-1 bar to +15 bar relative pressure
485	-1 bar to +24 bar relative pressure
489	0 bar to 1.6 bar absolute pressure
490	0 bar to 2.5 bar absolute pressure
491	0 bar to 4 bar absolute pressure
492	0 bar to 6 bar absolute pressure
493	0 bar to 10 bar absolute pressure
494	0 bar to 16 bar absolute pressure
495	0 bar to 25 bar absolute pressure
505	0 bar to 40 bar relative pressure
998	Special measuring range for absolute pressure
999	Special measuring range for relative pressure
	(4) Output
405	4 mA to 20 mA, 2-wire
	(5) Process connection
502	G 1/4 according to DIN EN 837
504	G 1/2 according to DIN EN 837
521	G 1/4 according to DIN 3852-11
563	7/16-20 UNF interior, with valve core handle
	(6) Process connection material
20	CrNi (stainless steel)
	(7) Electrical connection
36	Round plug M12 × 1
53	Bayonet VG 95234A - 10SL - 3PN
60	Plug connector DIN EN 174301-803, Form A, ex DIN 43650 (without cable socket)
61	Cable socket DIN EN 175301-803, Form A, ex DIN 43650
	(8) Extra codes
000	None
591	Choke in the pressure channel

JUMO GmbH & Co. KG

Delivery address: Mackenrodtstraße 14
 36039 Fulda, Germany
 Postal address: 36035 Fulda, Germany
 Phone: +49 661 6003-0
 Fax: +49 661 6003-607
 E-mail: mail@jumo.net
 Internet: www.jumo.net

JUMO Instrument Co. Ltd.

JUMO House
 Temple Bank, Riverway
 Harlow, Essex CM20 2DY, UK
 Phone: +44 1279 635533
 Fax: +44 1279 635262
 E-mail: sales@jumo.co.uk
 Internet: www.jumo.co.uk

JUMO Process Control, Inc.

6733 Myers Road
 East Syracuse, NY 13057, USA
 Phone: 315-437-5866
 1-800-554-5866
 Fax: 315-437-5860
 E-mail: info.us@jumo.net
 Internet: www.jumousa.com



624	Oil and grease free
630	Enlarged pressure channel ^a

^a Diameter 8 mm for process connection 521, diameter 12 mm for process connection 504

Order code	(1)	/	(2)	-	(3)	-	(4)	-	(5)	-	(6)	-	(7)	/	(8)	, ... ^a
Order example	401008	/	000	-	455	-	405	-	504	-	20	-	61	/	591	

^a List extra codes in sequence, separated by commas.

Minimum order volume for manufacturing devices: 5 pieces

Minimum order volume for warehouse devices: 1 piece